

Magnifying lights

RLL FLEX

Flex arm length: 36cm



SKU: 24995-3 (3-Dio*)


SKU: 24995-5 (5-Dio**)

Flex arm length: 51cm



SKU: 24996-3 (3-Dio*)

SKU: 24996-5 (5-Dio**)

 RAL 9006 /silver

* 3-Dio = 3 Diopters

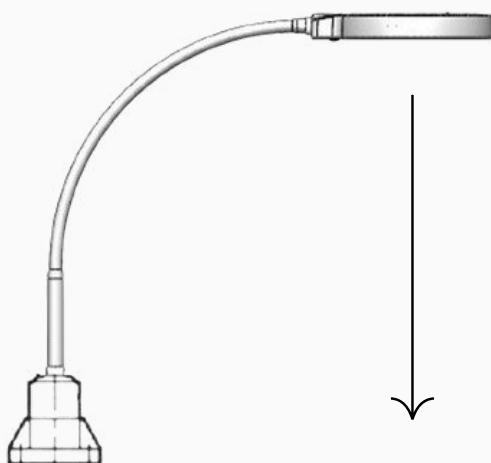
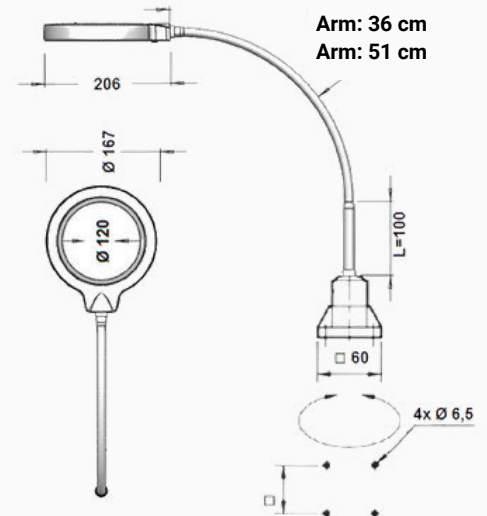
** 5-Dio = 5 Diopters

TECHNICAL DATA

V	100-240
Hz	50-60
W	8
Lm	950
K	5000
Lux	7900 (15cm)
CRI	> 90 (typ. 93)
kg	2 / 2,3

Material lens/	biconvex ground glass magnifier
Lamp head:	(Ø 120 mm) / die-cast aluminium
Articulated type:	Flexible arm
Dimming:	Switch in luminaire head 3-step dimming (30 - 80 - 100%)
Lifetime:	60.000h
Warranty:	2 years
LED Cover:	translucent, impact-resistant plastic (PC)
Mains connection:	2m detachable plug-in power supply (Euro plug)
Colour:	Silver
Magnification:	3-diopter (1.75x magnification) 5-diopter (2.25x magnification)

Dimensions:



Distance:

- 30 cm
- 25 cm
- 20 cm
- 15 cm

Illuminance:

- 2700 Lux
- 3730 Lux
- 5430 Lux
- 7900 Lux

Work surface

HIGHLIGHTS

- ✓ Compact and very space-saving design, therefore ideal e.g. for optical inspection of instruments or objects
- ✓ Integrated control button for dimming and switching in the luminaire head - stepDIM: light can be switched in 3 steps (30 - 80 - 100%) to adapt to different visual tasks
- ✓ Die-cast aluminium luminaire head with super narrow lens edge for improved access to the object
- ✓ 21 ring-shaped LEDs (Nichia) for uniform, shadow-free light under the lens - up to 7900lx at a distance of 15cm from the object
- ✓ High quality glass lens Ø 120 mm, optional:
 - 3-diopter (=1.75x magnification)
 - 5-diopter (=2.25x magnification)



ATTACHMENTS

For both variants (36 & 51cm)



Screw-on flange (incl.)
SKU: 005.95



Table clamp 0-44 mm
SKU: 003.95

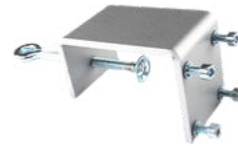


Table clamp 16-85 mm
SKU: 004.95



Table base 7,5 kg
SKU: 305-60.96



Wall angle
SKU: 002.95

Posenerstraße 5
83024 Rosenheim
Germany

Sales: +49(0)15156125273
info@rmd-leuchten.de
www.rmd-leuchten.de

