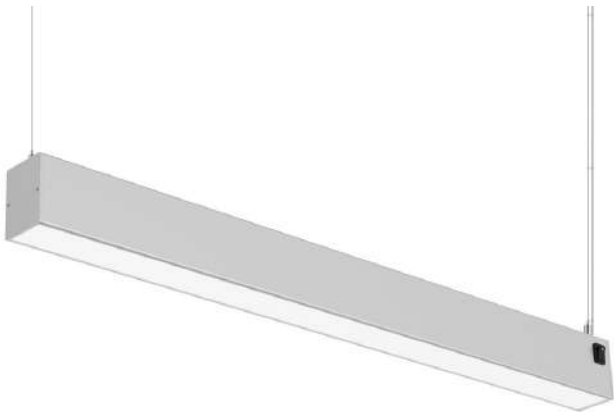


Pendant lights

BASIC ECO P36

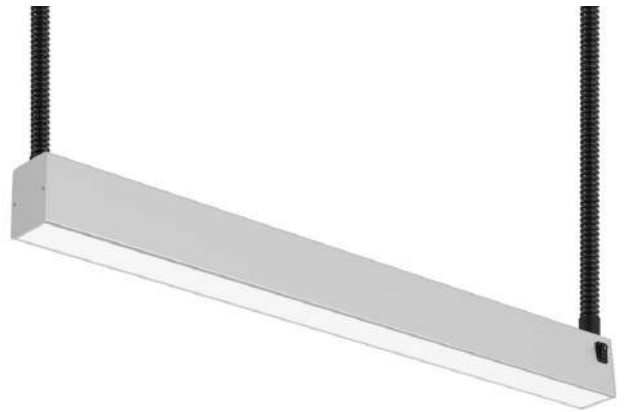
Steel cable suspension
individually shortenable



SKU: 559.36.96.957sd (DIM)

SKU: 559.36.96.957S (nonDIM)

Drawbar suspension
50 - 150cm (height adjustable)



SKU: 559.36.957sd (DIM)

SKU: 559.36.957S (nonDIM)

● RAL 9006 /silver

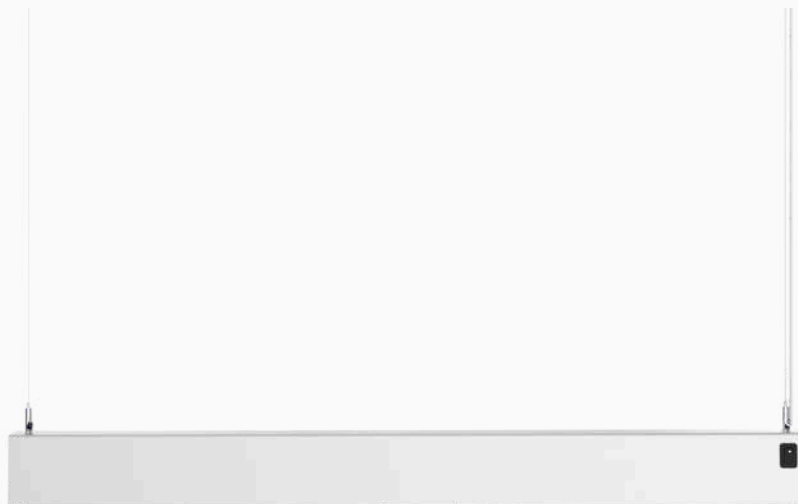
* DIM = dimmable

** nonDIM = not dimmable

TECHNICAL DATA

V	220-240
Hz	50-60
W	36 / 72
Lm	4200
K	5700
Lux	4500 (50cm)
CRI	> 95 (typ. 97)
kg	3,9 / 6,2
RG	0

Material:	Extruded aluminium
Insert:	Single / double workstation
Dimming:	optional (nonDim/DIM 1-100%)
Lifetime:	50.000h
Warranty:	2 years
LED Cover:	Microprismatic lens/plus additional high-tech diffuser foil
Power connection:	luster terminals in right canopy
LED Driver:	Tridonic
Colour:	Silver
Dimensions:	870 x 60 x 79 mm (LxWxH) 1950 x 60 x 79 mm (LxWxH)

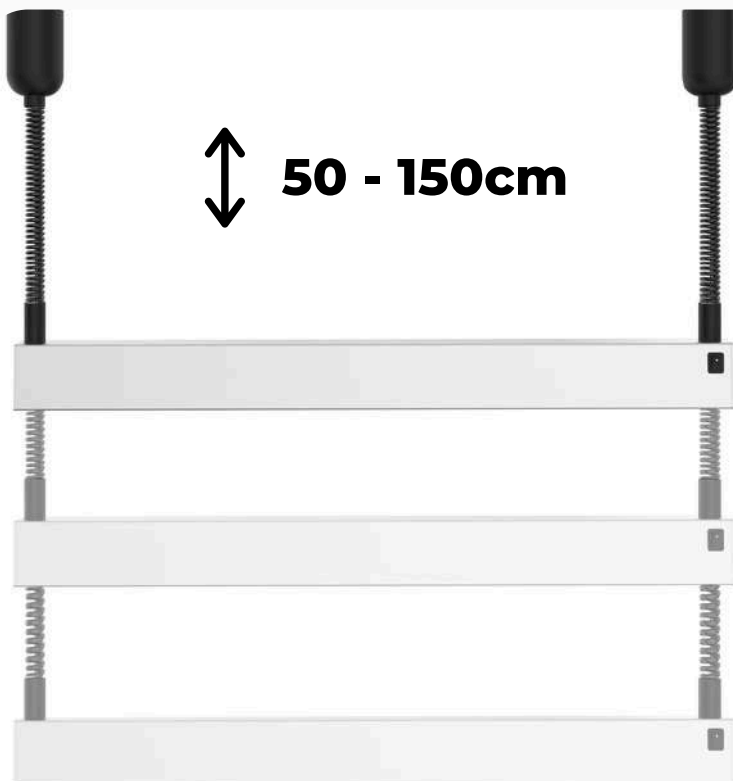


Distance:	Illuminance:
80 cm	2100 Lux
70 cm	2850 Lux
60 cm	3500 Lux
50 cm	4500 Lux

Work surface

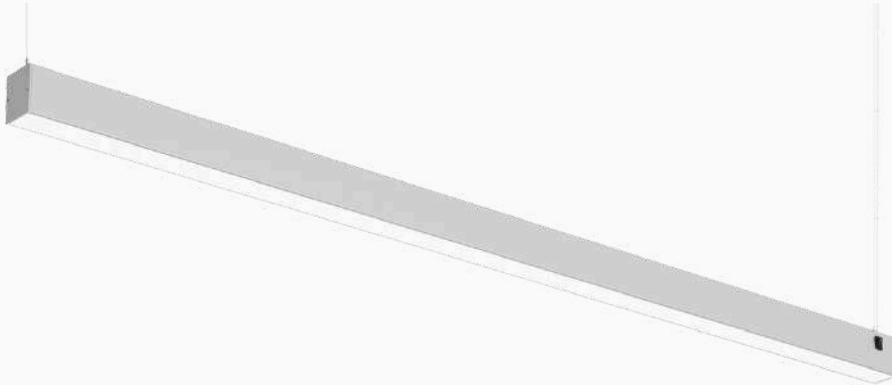
HIGHLIGHTS

- ✓ No colour location shifts when dimming the LEDs
- ✓ No UV and infrared components in the light spectrum (prevents e.g. premature hardening of plastics)
- ✓ No heat load in the direction of light emission - only slight heating of the luminaire surface
- ✓ The all-rounder among our pendant luminaires. Easy to integrate and versatile with strong light at an excellent price-performance ratio.
- ✓ Optical design package: also available with filigree steel cable suspensions and transparent insulated supply cable (not infinitely height-adjustable)



OPTIONAL

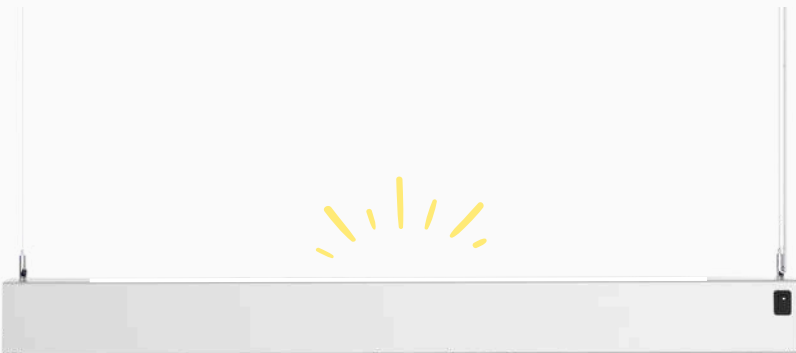
Double workplace



Dimension: 1950 x 60 x 79 mm (LxWxH)

SKU: 559.72.957sd (Drawbar suspension – DIM)
559.72.96.957sd (Steel cable suspension – DIM)
559.72.957S (Drawbar suspension – nonDIM)
559.72.96.957S (Steel cable suspension – nonDIM)

Indirect light component*



W	12
Lm	2260
K	5700
Lux	+ 300
CRI	> 90 (typ. 93)

- ✓ Depending on the colour and texture of the ceiling and the distance, switching on the indirect light component provides approx. 200 - 300 lux more light.
- ✓ Room brightening (avoidance of the cave effect, more pleasant room feeling due to ceiling brightening). Beam angle of 90° for particularly harmonious luminance distribution.

* Indirect light component on request

Zum Weiherlein 16
97509 Kolitzheim
Germany

Sales: +49(0)15128033591
info@rmd-leuchten.de
www.rmd-leuchten.de

