

Flex arm luminaires

FLEX FOCUS



SKU: 670.90-1



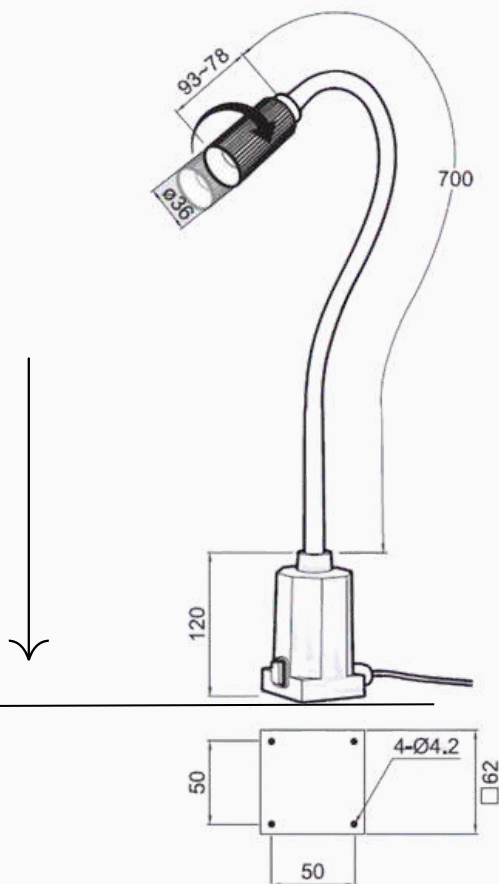
RAL 9005 / black

TECHNICAL DATA

V	100-240
Hz	50-60
W	5
Lm	696
Lux	18.500 (50cm)
K	5700
CRI	> 80 (typ. 83)
kg	1,2

Material flexible arm/ Luminaire head:	Robust metal flexible arm with heat-shrinkable sleeve cover / Metal head metal luminaire head / impact-resistant plastic transformer housing
Dimming:	not dimmable
Articulation type:	flexible arm (gooseneck)
Lens:	focusable lens approx. 10 - 48
Lifetime:	50.000h
Warranty:	2 years
LED cover:	clear glass lens
Mains connection:	1.8 m PVC cable Plug-in power supply (Euro plug)
Colour:	Black
Protection class:	II
IP code:	IP 20

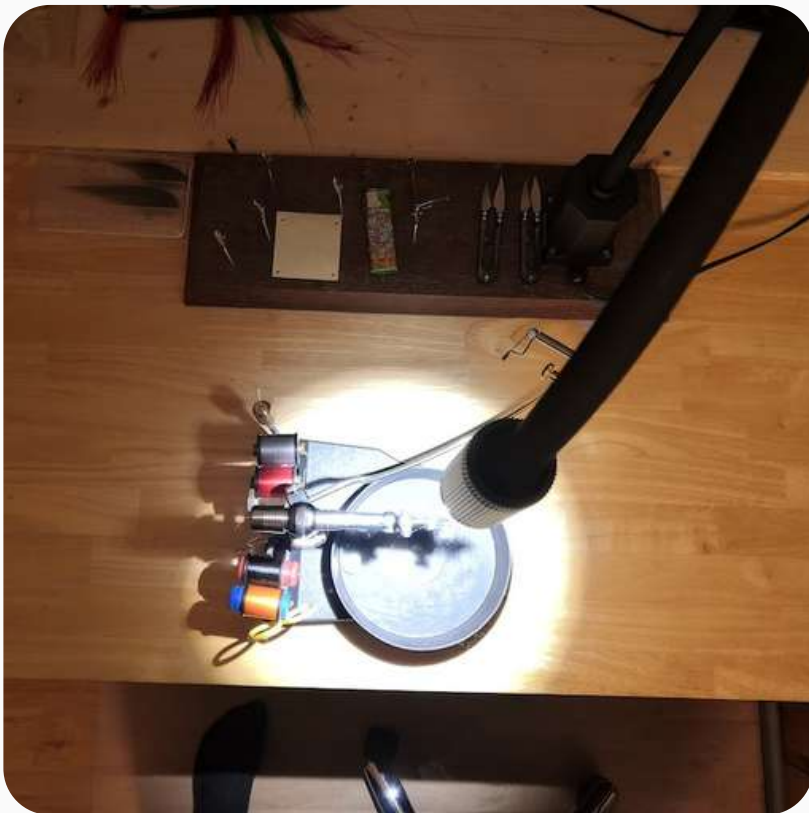
Distance:	48°- Lens	10°- Lens
50 cm	2790 Lux	18.500 Lux
40 cm	4000 Lux	27.500 Lux
30 cm	6830 Lux	53.500 Lux
20 cm	12.620 Lux	107.700 Lux



Work surface

HIGHLIGHTS

- ✓ a bright, focusable flexible arm luminaire for visual inspection of bores and cavities or adjustment work on machines can be adapted from 10° to 48° to the object in question
- ✓ Robust metal flexible arm with heat-shrinkable sleeve cover / Metal luminaire head
Transformer housing made of impact-resistant plastic
- ✓ In combination with the strong magnetic base, the FLEX Focus is a versatile and flexible universal luminaire, especially for control and test stations.
- ✓ The 700 mm long gooseneck and the small cross-section of the luminaire head allow the luminaire to be precisely and quickly brought into the right position even in confined spaces



ATTACHMENTS

For Flex Focus



Screw-on flange (incl.)



Table clamp 0-44 mm
SKU: 007-50.90



Magnetic base
SKU: 008-50.90

Zum Weiherlein 16
97509 Kolitzheim
Germany

Sales: +49(0)15128033591
info@rmd-leuchten.de
www.rmd-leuchten.de

