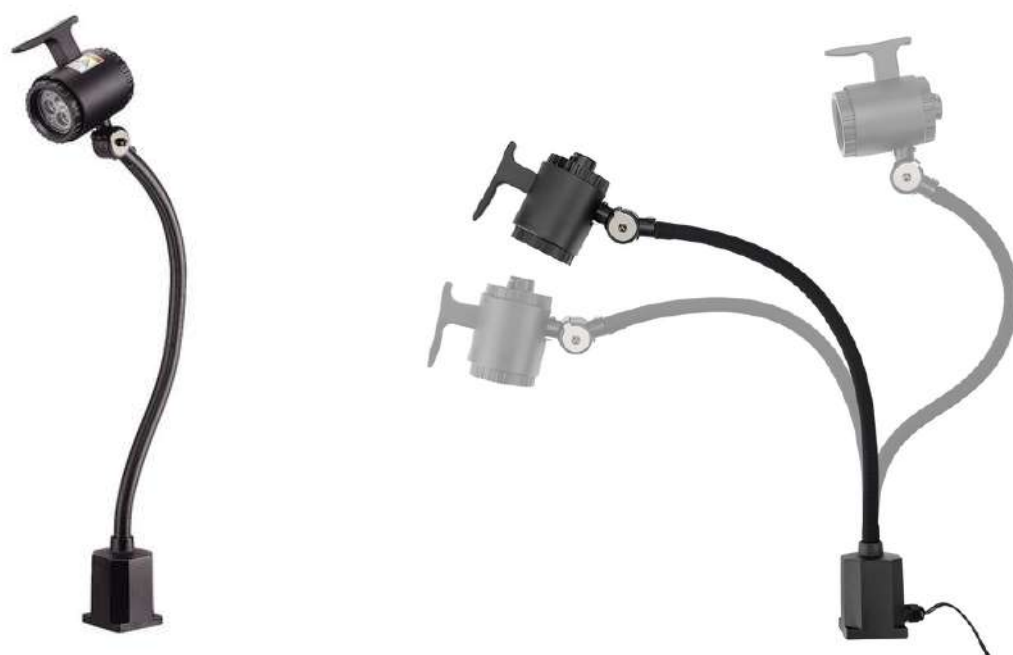


Flex arm luminaires

# FLEX STRONG



SKU: 676.90-1



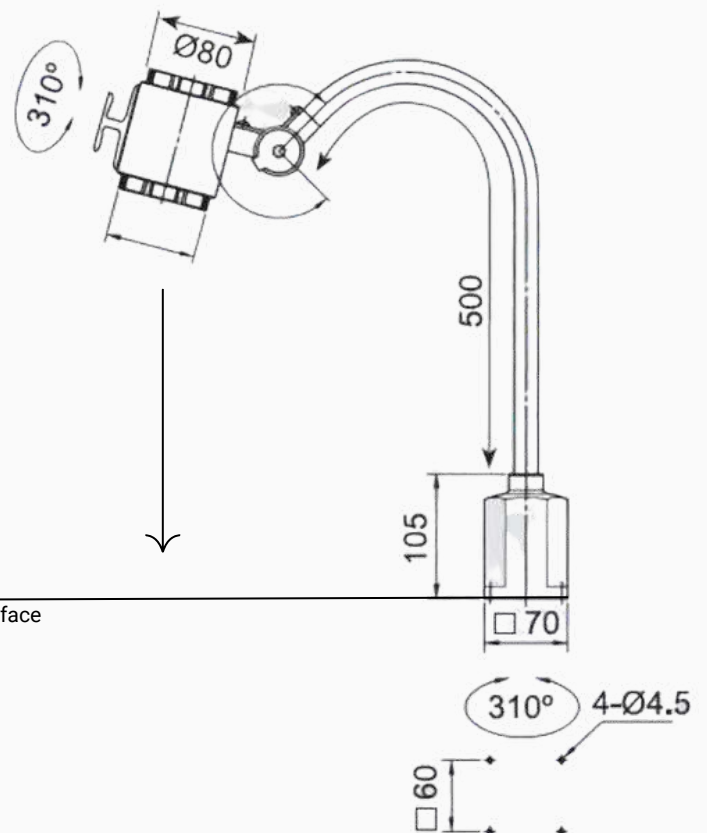
RAL 9005 / black

# TECHNICAL DATA

<b>V</b>	100-240
<b>Hz</b>	50-60
<b>W</b>	4,5
<b>Lm</b>	630
<b>Lux</b>	14.700 (50cm)
<b>K</b>	5700
<b>CRI</b>	> 80 (typ. 83)
<b>kg</b>	1,5

<b>Material flexible arm/ Luminaire head:</b>	waterproof and oil-resistant shrink tube made of metal / luminaire head made of metal / transformer housing made of impact-resistant plastic
<b>Dimming:</b>	not dimmable
<b>Articulation type:</b>	Flexible arm (gooseneck)
<b>Lens:</b>	30°
<b>Lifetime:</b>	50.000h
<b>Warranty:</b>	2 years
<b>LED cover:</b>	clear glass lens
<b>Mains connection:</b>	1.8 m PVC cable Plug-in power supply (Euro plug)
<b>Colour:</b>	Black
<b>Protection class:</b>	II
<b>IP code:</b>	IP 65

Distance:	Illuminance:
50 cm	14.700 Lux
40 cm	22.300 Lux
30 cm	39.400 Lux



# HIGHLIGHTS

- ✓ the turn-and-tilt joint and the ergonomic handle provide an additional adjustment option and bring the light homogeneously and symmetrically to the right place
- ✓ Robust, waterproof and oil-resistant metal flex arm with shrink tubing cover
- ✓ In combination with the strong magnetic base, the FLEX Strong is a versatile and flexible universal luminaire, especially for control and test stations.
- ✓ FLEX Strong is mainly used on lathes, drilling and milling machines - wherever there are demanding ambient conditions and high protection requirements against oil, dirt and coolants.



# ATTACHMENTS

For Flex Strong



Screw-on flange (incl.)



Table clamp 0-44 mm  
SKU: 007.90



Magnetic base  
SKU: 008.90



Wall angle  
SKU: 006.90

Zum Weiherlein 16  
97509 Kolitzheim  
Germany

Sales: +49(0)15128033591  
info@rmd-leuchten.de  
www.rmd-leuchten.de

