

Magnifying lights

GL GROSSFELD



SKU: 230-L10-3sd + 349.10
(3-Dio, Dim*)

SKU: 230-L10-3 + 349.10
(3-Dio, nonDim**)

○ RAL 9010 /white

* 3-Dio, Dim = 3 Diopters, dimmable

** 3-Dio, nonDim = 3 Diopters, non dimmable

TECHNICAL DATA

V	220-240
Hz	50-60
W	9
Lm	1500
K	5000
Lux	15000 (15cm)
CRI	> 80 (typ. 83)
kg	3

Material lens/

Lamp head:

Articulated type:

Dimming:

Lifetime:

Warranty:

LED Cover:

Mains connection:

Colour:

Magnification:

Biconvex ground glass magnifier

Rectangular magnifier with a large viewing area (170 x 108 mm)

Friction joint arm with spring-assisted die-cast joints, 6 rotation axes

Switch in the lower joint arm, optionally dimmable (100% - 1%)

60.000h

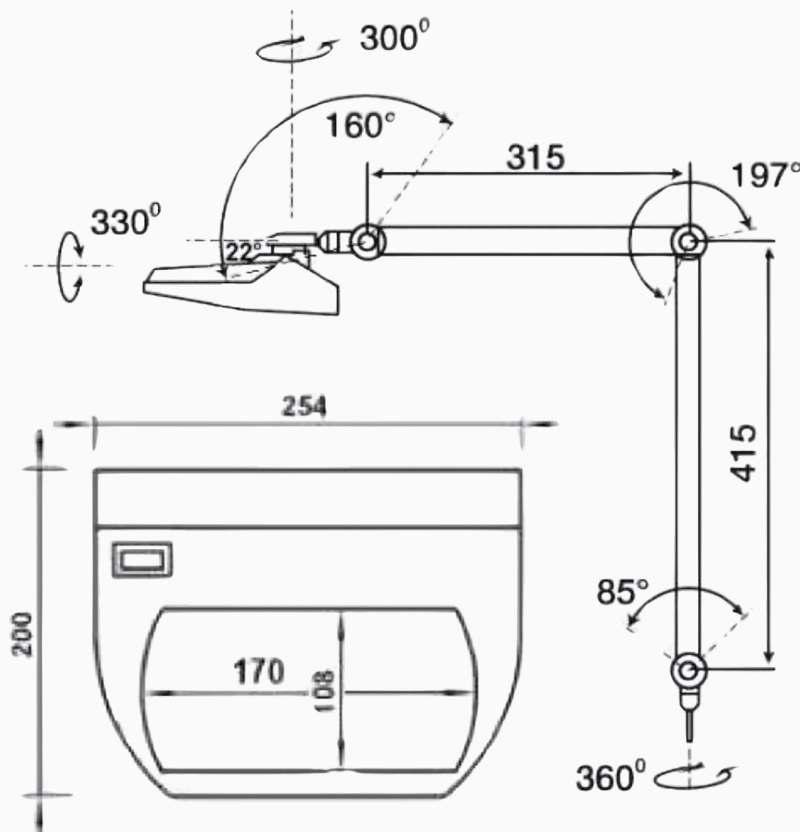
2 years

Opal diffuser, impact-resistant plastic

2 m PVC power cord (3 x 0.75) with Schuko plug

white

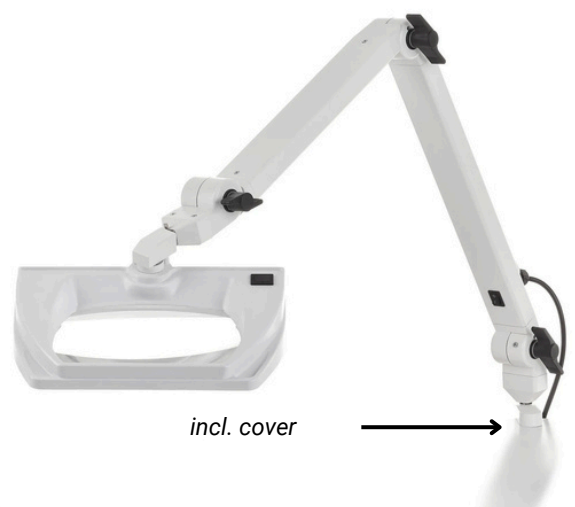
3 diopters (1.75x magnification)



Distance:	Illuminance:
35 cm	4500 Lux
30 cm	6000 Lux
25 cm	7500 Lux
20 cm	10.000 Lux
15 cm	15.000 Lux

HIGHLIGHTS

- ✓ Large rectangular magnifier for comfortable viewing of objects with both eyes – without strain or fatigue.
- ✓ Optional dimmable version available, allowing individual brightness adjustment from 100% to 1%.
- ✓ Shadow-free illumination or targeted shadow formation, depending on the object's position, for better contour visibility.
- ✓ High-quality lighting with exceptionally high illuminance of up to 15,000 lux at a distance of 15 cm from the work surface.
- ✓ Ergonomically designed lamp head with practical grip zones, made of impact-resistant plastic for maximum flexibility.



ATTACHMENTS

For magnifying lamp GL Großfeld



Table clamp 16-85mm (incl.)
SKU: 349.10



Table base 10,5 kg
SKU: 317.10



Wall angle
SKU: 302.11

Zum Weiherlein 16
97509 Kolitzheim
Germany

info@rmd-leuchten.de
www.rmd-leuchten.de

