

Machine Lights

M-LITE L



SKU: 672.95.02 (100 - 240V)*



SKU: 672.95.01 (24V AC/DC)**



RAL 9006 /silver

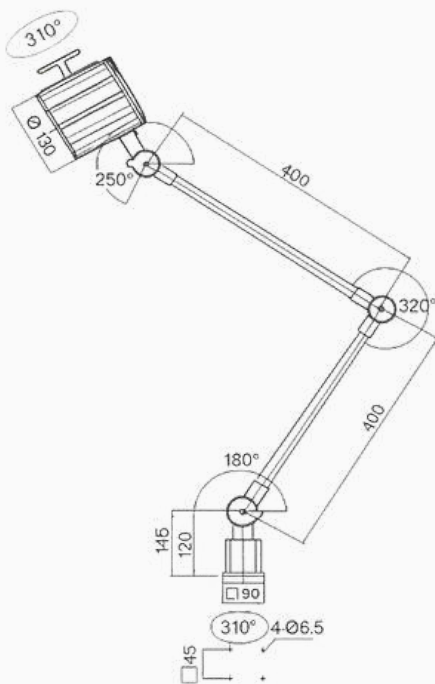
**standard mains connection*

*** for machines*

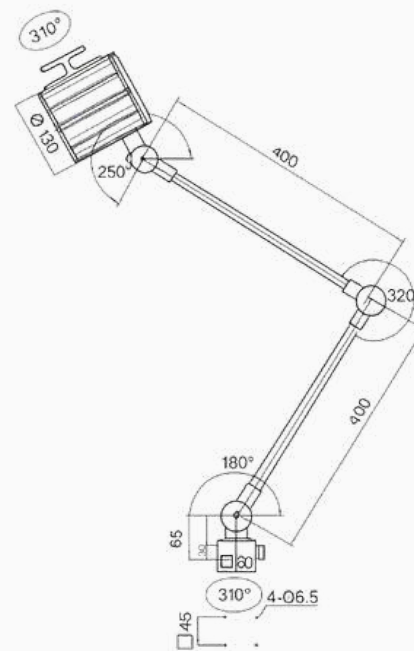
TECHNICAL DATA

| | |
|------------|-----------------------|
| V | 100-240 / 24 AC/DC |
| Hz | 50-60 |
| W | 6 x 2 |
| Lm | 1260 |
| Lux | > 8000 (100cm) |
| K | 6000 |
| CRI | > 80 (typ. 83) |
| kg | 2,9 / 2,1 |
| IP | 65 |

| | |
|--------------------------------|--------------------------------------------------------------------------------------------------------------------------------------------------|
| Material: | Friction joint arm made of steel tubing, joints and transformer housing made of die-cast aluminum, handle made of impact-resistant plastic (GRP) |
| Light head: | Ø 90 x 100 mm |
| Control gear: | Integrated LED converter |
| Dimming: | Not dimmable |
| Joint type: | Friction joint arm |
| Articulated arm length: | 400 + 400 mm |
| Lens: | 25° |
| Service life: | 50,000 hours |
| Warranty: | 2 years |
| LED cover: | Lamp cover made of tempered safety glass, clear |
| Power connection: | 1.5 m rubber cable (100-240V)/ via luster terminals in the base (24V AC/DC) |
| Plug type: | Schuko (CEE 7/7) (I) / without (III) |
| Color: | silver gray (RAL 9006) |
| Protection class: | I (100–240 V) / III (24 V) |



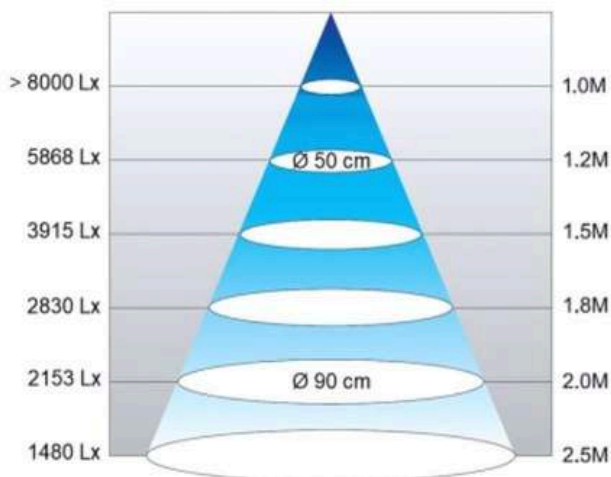
100 - 240V



24V AC/DC

HIGHLIGHTS

- ✓ Durable construction – ribbed extruded aluminum head ensures optimal heat dissipation; no burning of coolants or lubricants into the protective glass.
- ✓ Reliably protected – thanks to IP65, the machine light is dustproof, protected against water jets, and resistant to vibrations.
- ✓ The two variants, 24 V AC/DC and 100–240 V, enable connection to machine or mains voltage.
- ✓ Robust construction – friction joint arm made of steel tubing, joints and transformer housing made of die-cast aluminum – for maximum stability in continuous use.



ATTACHMENTS

For 100-240V version



Screw-on flange (incl.)
SKU: 672.95.02



Table clamp
SKU: 009.95



Wall angle
SKU: 002-75.95

For 24V AC/DC version



Screw-on flange (incl.)
SKU: 672.95.01



Table clamp 0-44 mm
SKU: 003.95



Table clamp 16-85 mm
SKU: 004.95



Wall angle
SKU: 002.95

Zum Weiherlein 16
97509 Kolitzheim
Germany

Sales: +49(0)15128033591
info@rmd-leuchten.de
www.rmd-leuchten.de

