

Machine Lights


M-LITE S



SKU: 672.95.92 (100 - 240V)*



SKU: 672.95.91 (24V AC/DC)**

 RAL 9006 /silver

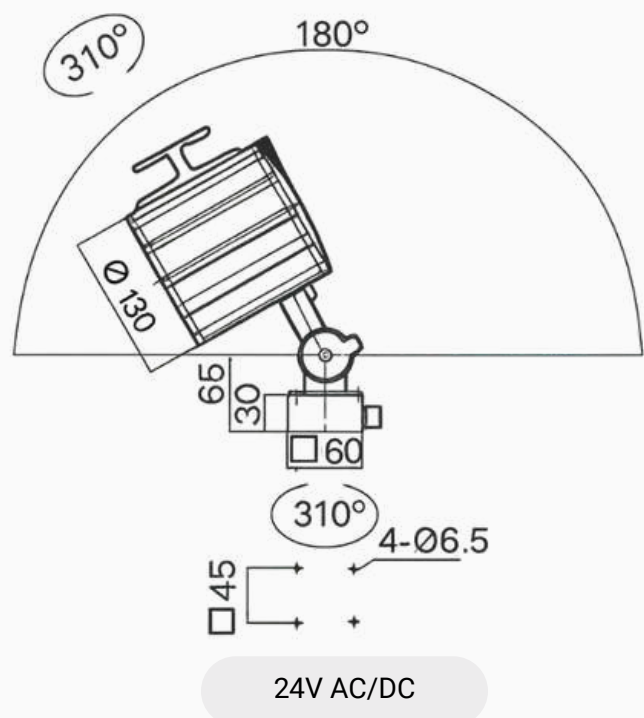
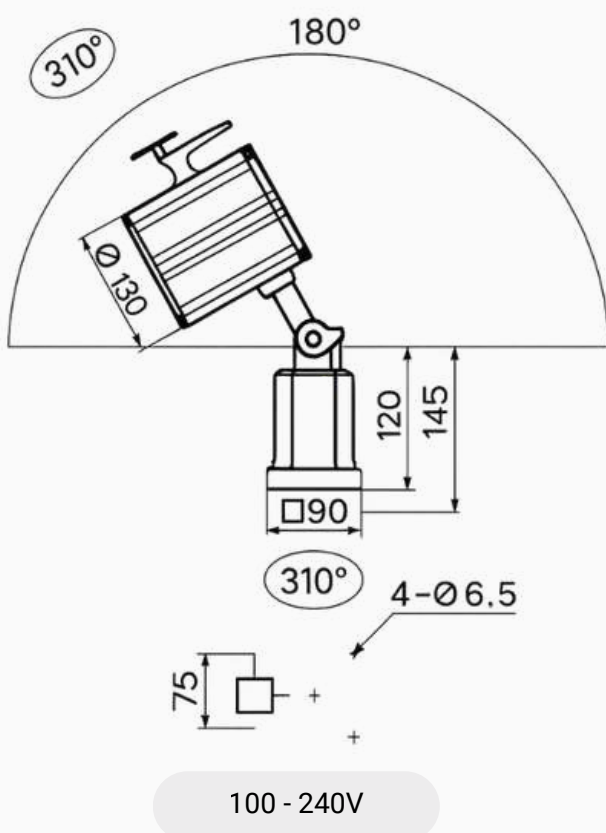
**standard mains connection*

*** for machines*

TECHNICAL DATA

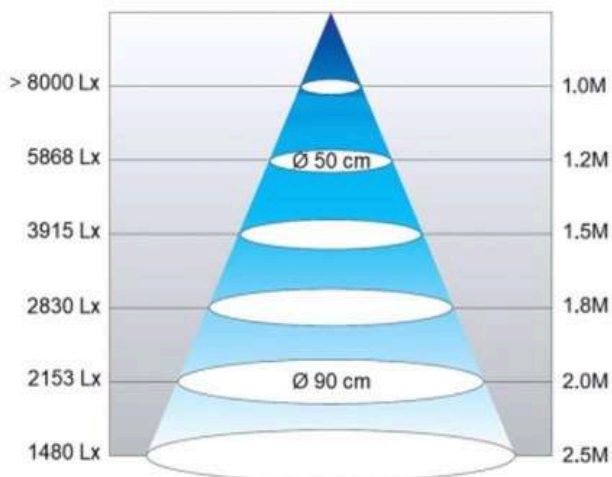
| | |
|------------|-----------------------|
| V | 100-240 / 24 AC/DC |
| Hz | 50-60 |
| W | 6 x 2 |
| Lm | 1260 |
| Lux | > 8000 (100cm) |
| K | 6000 |
| CRI | > 80 (typ. 83) |
| kg | 2,6 / 1,7 |
| IP | 65 |

| | |
|---------------------------|--|
| Material Flex arm/ | Joint and transformer housing made of die-cast aluminum, handle made of impact-resistant plastic (GRP) |
| Light head: | Ø 90 x 100 mm |
| Control gear: | Integrated LED converter |
| Dimming: | Not dimmable |
| Joint type: | Short friction joint arm |
| Lens: | 25° |
| Service life: | 50,000 hours |
| Warranty: | 2 years |
| LED cover: | Lamp cover made of tempered safety glass, clear |
| Power connection: | 1.5 m rubber cable (100-240V)/ via luster terminals in the base (24V AC/DC) |
| Plug type: | Schuko (CEE 7/7) (I) / without (III) |
| Color: | silver gray (RAL 9006) |
| Protection class: | I (100–240 V) / III (24 V) |



HIGHLIGHTS

- ✓ Good heat dissipation thanks to ribbed lamp head made of robust extruded aluminum profile.
- ✓ Lamp cover made of toughened safety glass for dust and splash protection (IP Code: IP 65).
- ✓ The two variants, 24 V AC/DC and 100–240 V, enable connection to machine or mains voltage.
- ✓ Durable materials ensure efficient lighting even under stress – robust even against vibrations.



ATTACHMENTS

For 100-240V version



Screw-on flange (incl.)
SKU: 672.95.92



Table clamp
SKU: 009.95



Wall angle
SKU: 002-75.95

For 24V AC/DC version



Screw-on flange (incl.)
SKU: 672.95.91



Table clamp 0-44 mm
SKU: 003.95



Table clamp 16-85 mm
SKU: 004.95



Magnetic base
SKU: 008.95



Wall angle
SKU: 002.95

Zum Weiherlein 16
97509 Kolitzheim
Germany

Sales: +49(0)15128033591
info@rmd-leuchten.de
www.rmd-leuchten.de

