

Machine Lights

M-LITE S



SKU: 672.95.92 (100 - 240V)*



SKU: 672.95.91 (12 - 24V AC/DC)**



RAL 9006 /silver

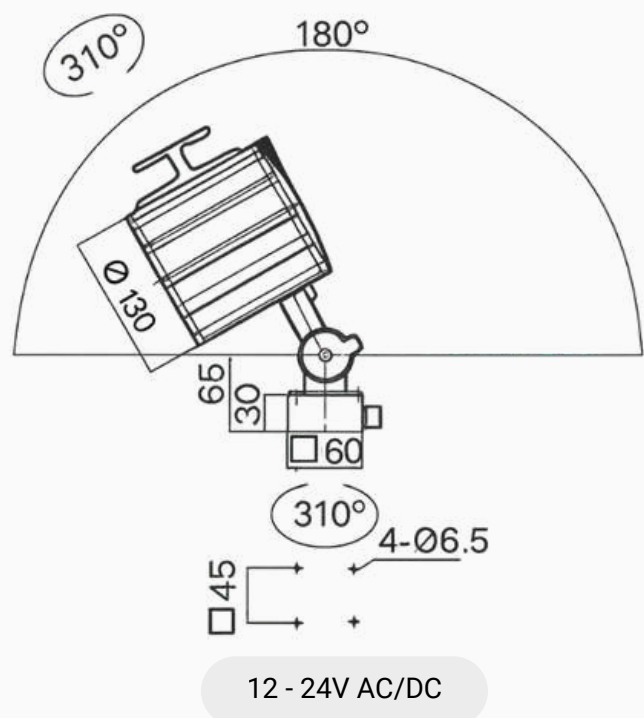
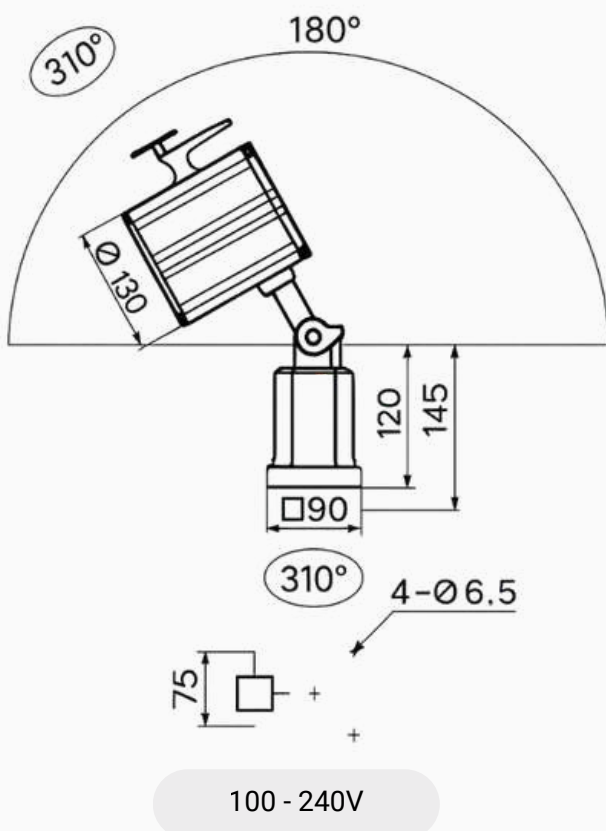
**standard mains connection*

*** for machines*

TECHNICAL DATA

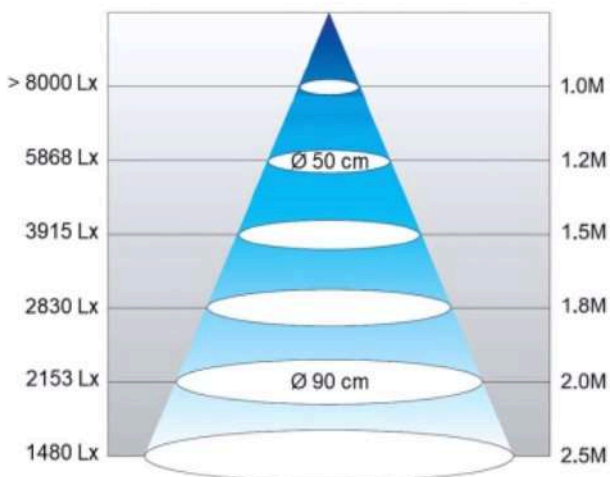
V	100-240 / 12-24 AC/DC
Hz	50-60
W	6 x 2
Lm	1260
Lux	> 8000 (100cm)
K	6000
CRI	> 80 (typ. 83)
kg	2,6 / 1,7
IP	65

Material Flex arm/	Joint and transformer housing made of die-cast aluminum, handle made of impact-resistant plastic (GRP)
Light head:	Ø 90 x 100 mm
Control gear:	Integrated LED converter
Dimming:	Not dimmable
Joint type:	Short friction joint arm
Lens:	25°
Service life:	50,000 hours
Warranty:	2 years
LED cover:	Lamp cover made of tempered safety glass, clear
Power connection:	1.5 m rubber cable (100-240V)/ via luster terminals in the base (12-24V AC/DC)
Plug type:	Schuko (CEE 7/7) (I) / without (III)
Color:	silver gray (RAL 9006)
Protection class:	I (100-240 V) / III (12-24 V)



HIGHLIGHTS

- ✓ Good heat dissipation thanks to ribbed lamp head made of robust extruded aluminum profile.
- ✓ Lamp cover made of toughened safety glass for dust and splash protection (IP Code: IP 65).
- ✓ The two variants, 12–24 V AC/DC and 100–240 V, enable connection to machine or mains voltage.
- ✓ Durable materials ensure efficient lighting even under stress – robust even against vibrations.



ATTACHMENTS

For 100-240V version



Screw-on flange (incl.)
SKU: 672.95.92



Table clamp
SKU: 009.95



Wall angle
SKU: 002-75.95

For 12-24V AC/DC version



Screw-on flange (incl.)
SKU: 672.95.91



Table clamp 0-44 mm
SKU: 003.95



Table clamp 16-85 mm
SKU: 004.95



Magnetic base
SKU: 008.95



Wall angle
SKU: 002.95

Zum Weiherlein 16
97509 Kolitzheim
Germany

Sales: +49(0)15128033591
info@rmd-leuchten.de
www.rmd-leuchten.de

