

Magnifying lights

# RLL MASTER



SKU: 225-L48.95-3 (3-Dio\*)



RAL 9006 / Gelenkarm



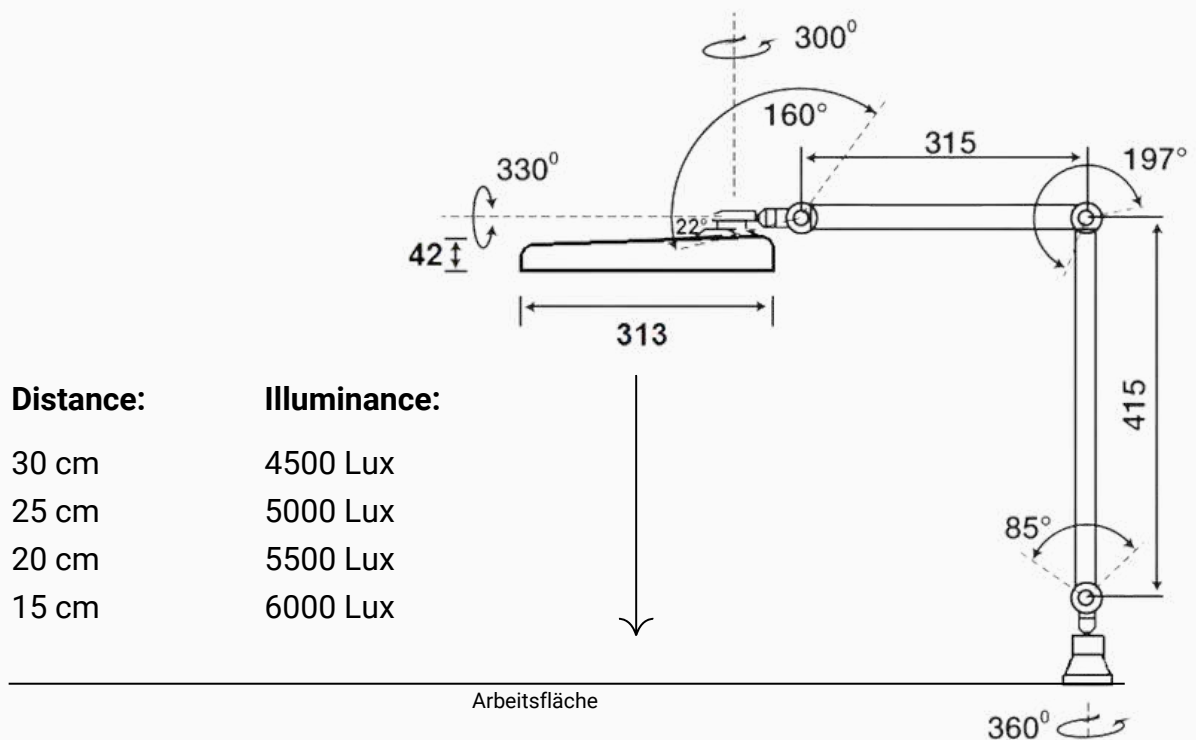
RAL 9005 / Lupenkopf

\* 3-Dio = 3 Diopters

# TECHNICAL DATA

<b>V</b>	220-240
<b>Hz</b>	50-60
<b>W</b>	12
<b>Lm</b>	1200
<b>K</b>	5300
<b>Lux</b>	6000 (15cm)
<b>CRI</b>	> 90 (typ. 93)
<b>kg</b>	3,5

<b>Material lens/</b>	biconvex ground glass magnifier
<b>Lamp head:</b>	(Ø 150 mm) / die-cast aluminium
<b>Articulated type:</b>	3-D joint in luminaire head / friction joint arm with 6-axis rotation (articulated arm)
<b>Dimming:</b>	Switch in luminaire head - dimming (5 - 100%)
<b>Lifetime:</b>	50.000h
<b>Warranty:</b>	2 years
<b>LED Cover:</b>	translucent, impact-resistant plastic (PC)
<b>Mains connection:</b>	2 m PVC cable with detachable plug-in power supply (Euro plug)
<b>Colour:</b>	Silver (articulated arm) / Black ( magnifying head)
<b>Magnification:</b>	3 diopters (1.75x magnification)



# HIGHLIGHTS

- ✓ Increased visual comfort, reduced eye strain and high visual perception speed
- ✓ Large field of view for a wide variety of testing and inspection situations and adjustable light scenes for precise and fatigue-free work
- ✓ Luminaire head made of impact-resistant, matt black plastic to avoid reflections in the lens
- ✓ 48 LEDs arranged in a ring for shadow-free light under the lens - up to 6000lx at a distance of 15cm from the object
- ✓ 4 LED segments, switchable in 3 scenes to support different visual tasks:
  - all segments: uniform area light under the lens
  - left and right segment: to emphasise structures etc.
  - rear segment: oblique light with strong shadows



# ATTACHMENTS

For RLL Master



Screw-on flange (incl.)  
SKU: 005.95



Table clamp 0-44 mm  
SKU: 003.95



Table clamp 16-85 mm  
SKU: 004.95



Tabel base 10,5 kg  
SKU: 317.96



Wall angle  
SKU: 002.95

Zum Weiherlein 16  
97509 Kolitzheim  
Germany

Sales: +49(0)15128033591  
info@rmd-leuchten.de  
www.rmd-leuchten.de

