

Magnifying lights

RLL PRO



SKU: 244.95-3 (3-Dio*)



SKU: 244.95-5 (5-Dio**)

● RAL 9006 /silver

* 3-Dio = 3 Diopters

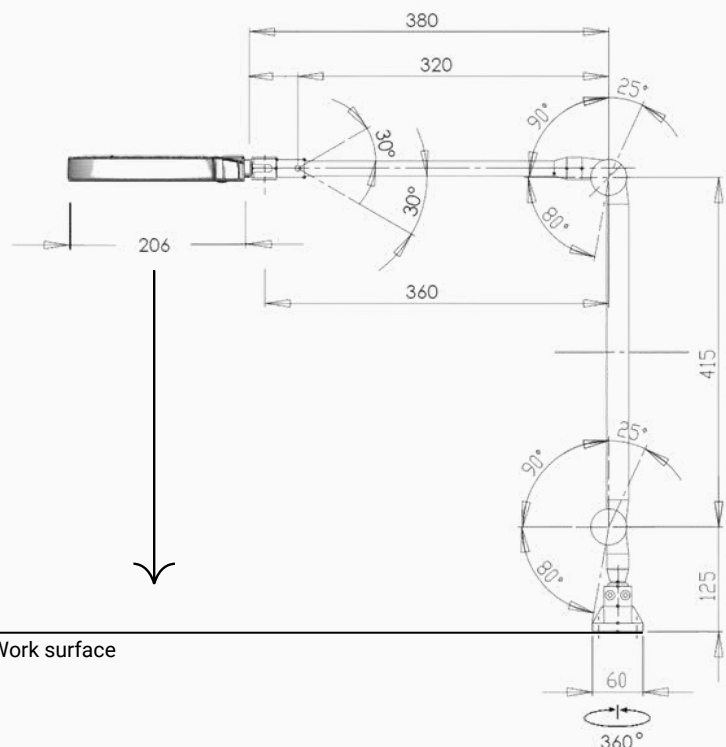
** 5-Dio = 5 Diopters

TECHNICAL DATA

V	100-240
Hz	50-60
W	8
Lm	950
K	5000
Lux	7900 (15cm)
CRI	> 90 (typ. 93)
kg	4

Material lens/	biconvex ground glass magnifier
Lamp head:	(Ø 120 mm) / die-cast aluminium
Articulated type:	3-D joint in luminaire head / Friction joint arm with 6-axis rotation (articulated arm)
Dimming:	Switch in luminaire head 3-step dimming (30 - 80 - 100%)
Lifetime:	60.000h
Warranty:	2 years
LED Cover:	translucent, impact-resistant plastic (PC)
Mains connection:	2 m PVC cable with detachable plug-in power supply (Euro plug)
Colour:	Silver
Magnification:	3-diopter (1.75x magnification) 5-diopter (2.25x magnification)

Distance:	Illuminance:
30 cm	2700 Lux
25 cm	3730 Lux
20 cm	5430 Lux
15 cm	7900 Lux



Work surface

HIGHLIGHTS

- ✓ Compact and very space-saving design, therefore ideal e.g. for optical inspection of instruments or objects
- ✓ Integrated control button for dimming and switching in the luminaire head - stepDIM: light can be switched in 3 steps (30 - 80 - 100%) to adapt to different visual tasks
- ✓ Die-cast aluminium luminaire head with super narrow lens edge for improved access to the object
- ✓ 21 ring-shaped LEDs (Nichia) for uniform, shadow-free light under the lens - up to 7900lx at a distance of 15cm from the object
- ✓ High quality glass lens Ø 120 mm, optional:
 - 3-diopter (=1.75x magnification)
 - 5-diopter (=2.25x magnification)



ATTACHMENTS

For RLL Pro



Screw-on flange (incl.)
SKU: 005.95



Table clamp 0-44 mm
SKU: 003.95



Table clamp 16-85 mm
SKU: 004.95



Tabel base 10,5 kg
SKU: 317.96



Wall angle
SKU: 002.95

Zum Weiherlein 16
97509 Kolitzheim
Germany

Sales: +49(0)15128033591
info@rmd-leuchten.de
www.rmd-leuchten.de

