

Magnifying lights

RLL PROFI



SKU: 632.10-3 (3-Dio*)

○ RAL 9010 / white

* 3-Dio = 3 Diopters

TECHNICAL DATA

V	100-240
Hz	50-60
W	12
Lm	1500
K	5000
Lux	5200 (15cm)
CRI	> 90 (typ. 93)
kg	2

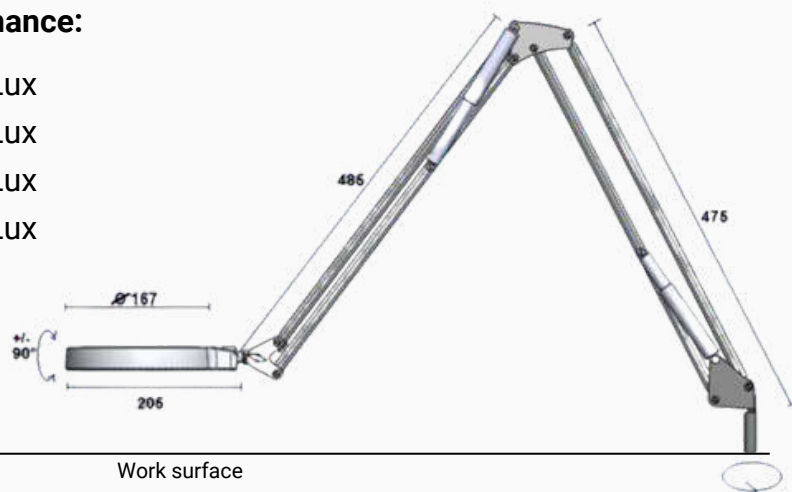
Material lens/	biconvex ground glass magnifier
Lamp head:	(Ø 120 mm) / die-cast aluminium
Articulated type:	3-D joint in the lamp head / robust, stable 5-tube design made of steel
Dimming:	Switch in luminaire head 3-step dimming (30 - 70 - 100%)
Lifetime:	60.000h
Warranty:	2 years
LED Cover:	translucent, impact-resistant plastic (PC)
Mains connection:	2m detachable plug-in power supply (Euro plug)
Colour:	White
Magnification:	3-diopter (1.75x magnification)

Distance:

30 cm
25 cm
20 cm
15 cm

Illuminance:

4000 Lux
2550 Lux
3700 Lux
5200 Lux



HIGHLIGHTS

- ✓ Compact and very space-saving design, therefore ideal e.g. for optical inspection of instruments or objects
- ✓ Integrated operating button for dimming and switching in the luminaire head - stepDIM: Light can be switched in 3 steps (30 - 80 - 100%) for adaptation to different visual tasks
- ✓ Die-cast aluminum luminaire head with super narrow lens edge for improved access to the object
- ✓ 21 ring-shaped LEDs (Nichia) for uniform, shadow-free light under the lens - up to 5200lx at 15cm distance to the object
- ✓ High quality glass lens Ø 120 mm, optional:
 - 3-diopter (=1.75x magnification)
 - 5-diopter (=2.25x magnification)



BEFESTIGUNGEN

Für RLL Profi



Tischklemme (inkl.)



Aufschraubflansch
SKU: 301.10



Wandwinkel
SKU: 002.95



Tischfuß 10,5 kg
SKU: 317.10

Zum Weiherlein 16
97509 Kolitzheim
Germany

Sales: +49(0)15128033591
info@rmd-leuchten.de
www.rmd-leuchten.de

