

Magnifying lights

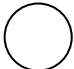
# RLL STANDARD



SKU: 628.10-3 (3-Dio\*)



SKU: 628.10-5 (5-Dio\*\*)

 RAL 9010 / white

\* 3-Dio = 3 Diopters

\*\* 5-Dio = 5 Diopters

# TECHNICAL DATA

<b>V</b>	100-240
<b>Hz</b>	50-60
<b>W</b>	5,3
<b>Lm</b>	650
<b>K</b>	5000
<b>Lux</b>	5200 (15cm)
<b>CRI</b>	> 90 (typ. 93)
<b>kg</b>	2

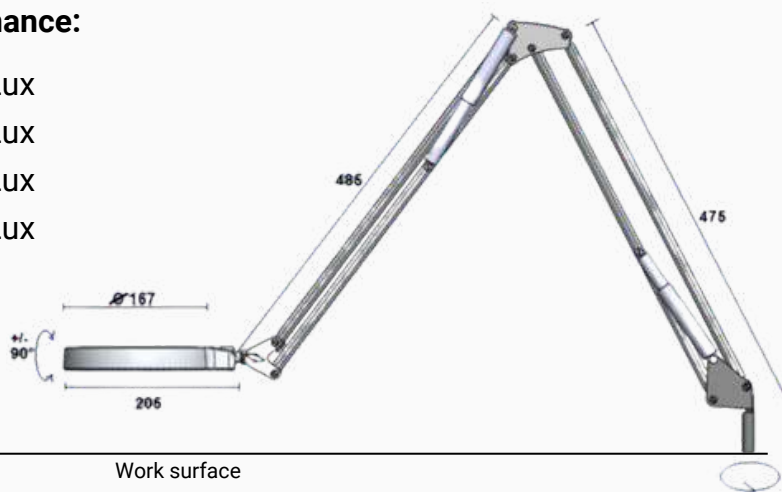
<b>Material lens/</b>	biconvex ground glass magnifier
<b>Lamp head:</b>	(Ø 120 mm) / die-cast aluminium
<b>Articulated type:</b>	3-D joint in luminaire head / robust, stable 5-tube metal construction
<b>Dimming:</b>	Switch in luminaire head 3-step dimming (30 - 80 - 100%)
<b>Lifetime:</b>	50.000h
<b>Warranty:</b>	2 years
<b>LED Cover:</b>	translucent, impact-resistant plastic (PC)
<b>Mains connection:</b>	2 m PVC cable with detachable plug-in power supply unit (Euro plug)
<b>Colour:</b>	White
<b>Magnification:</b>	3-diopter (1.75x magnification) 5-diopter (2.25x magnification)

## Distance:

30 cm
25 cm
20 cm
15 cm

## Illuminance:

1950 Lux
2550 Lux
3700 Lux
5200 Lux



# HIGHLIGHTS

- ✓ Compact and very space-saving design, therefore ideal e.g. for optical inspection of instruments or objects
- ✓ Integrated control button for dimming and switching in the luminaire head - stepDIM: light can be switched in 3 steps (30 - 80 - 100%) to adapt to different visual tasks
- ✓ Die-cast aluminium luminaire head with super narrow lens edge for improved access to the object
- ✓ 21 ring-shaped LEDs (Nichia) for uniform, shadow-free light under the lens - up to 5200lx at a distance of 15cm from the object
- ✓ High quality glass lens Ø 120 mm, optional:
  - 3-diopter (=1.75x magnification)
  - 5-diopter (=2.25x magnification)



# ATTACHMENTS

For RLL Standard



Table clamp 0-44 mm (inkl.)



Screw-on flange  
SKU: 301.10



Wall angle  
SKU: 002.95



Tabel base 7,5 kg  
SKU: 305.10

Zum Weiherlein 16  
97509 Kolitzheim  
Germany

Sales: +49(0)15128033591  
info@rmd-leuchten.de  
www.rmd-leuchten.de

